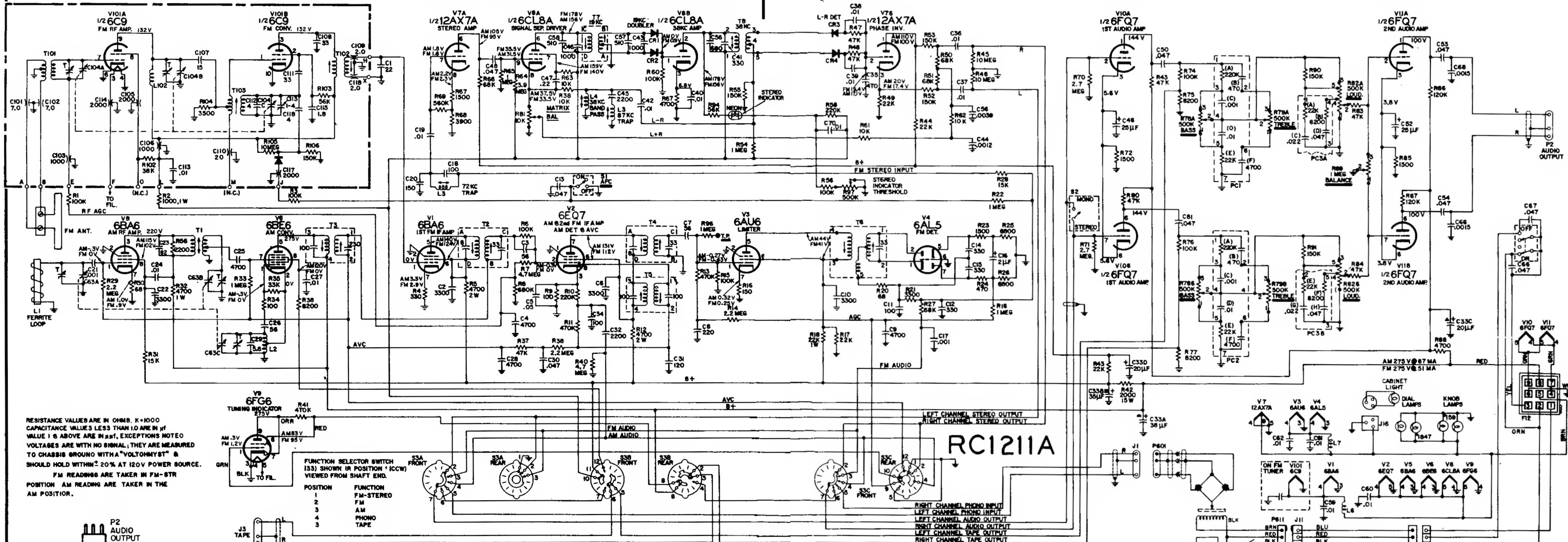


RCA VICTOR

Models 4VF304, 4VF325, 4VF326, 4VF348, 4VF349, 4VF405, 4VF446, 4VF464, 4VF480, 4VF488, 4VF534, use Tuner Chassis RC-1211A



RESISTANCE VALUES ARE IN OHMS, K=1000 CAPACITANCE VALUES LESS THAN 10 ARE IN pF VALUE 1 & ABOVE ARE IN μF, EXCEPTIONS NOTED VOLTAGES ARE WITH NO SIGNAL, THEY ARE MEASURED TO CHASSIS GROUND WITH A "VOLTOHMIST" & SHOULD HOLD WITHIN ± 20% AT 120V POWER SOURCE. FM READINGS ARE TAKEN IN FM-STR POSITION AM READINGS ARE TAKEN IN THE AM POSITION.

FUNCTION SELECTOR SWITCH (13) SHOWN IN POSITION (ICCW) VIEWED FROM SHAFT END.

POSITION	FUNCTION
1	FM-STEREO
2	FM
3	AM
4	PHONO
5	TAPE

